

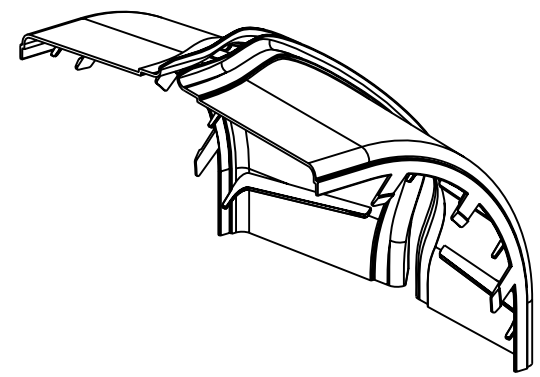
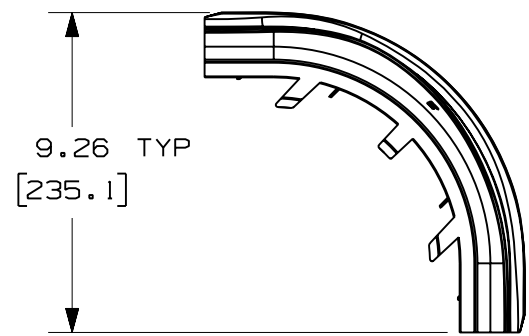
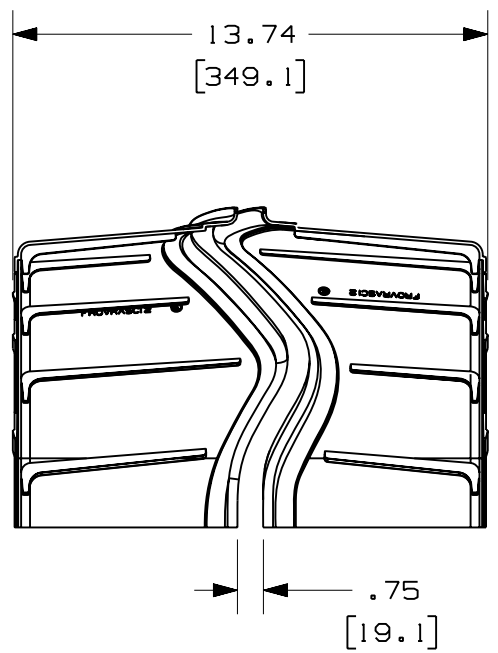


PANDUIT PART NUMBER	WEIGHT
FROVRASC12	0.91 LB/EACH 414g/EACH



**NOTES:**

1. SEE CURRENT CATALOG FOR ADDITIONAL PART SUFFIXES TO INDICATE COLOR AND/OR PACKAGE QUANTITY.
2. THE FIBERRUNNER 12x4 OUTSIDE VERTICAL RIGHT ANGLE SPLIT COVER REQUIRES NO TOOLS FOR INSTALLATION AND/OR REMOVAL. THE SPLIT COVER CREATES A 3/4" (19.1) RADIUS OPENING TO ALLOW FOR NEW CABLES TO BE ADDED WITHOUT THE NEED FOR REMOVING THE COVERS.
3. DIMENSIONS IN PARENTHESES ARE IN METRIC.



ENG. REF.: D37617DV\_DC\_FROVRASC12\_01.prt

CAD FILENAME/LAYERS: FROVRASC12.pdf

**PANDUIT** CORP TINLEY PARK, ILLINOIS  
 FIBERRUNNER 12x4 OUTSIDE VERTICAL RIGHT ANGLE SPLIT COVER (FROVRASC12)  
 CUSTOMER DRAWING

UNLESS OTHERWISE SPECIFIED, DIMENSIONAL TOLERANCES ARE:  
 (.X) ± (.XXX) ±  
 (.XX) ± .03 (.8) ANGLES ±

UNLESS OTHERWISE SPECIFIED, ALL DIMENSIONS ARE GIVEN IN INCHES, THIRD ANGLE PROJECTION.

REV	DATE	BY	CHK	DESCRIPTION	ECN	R	CUST	SUP	GMBH
-	-----	---	---	G. REVISED PART WEIGHT	-----	--	--		
-	-----	---	---	F. REVISED GENERAL NOTES E. REVISED CAD FILENAME	-----	--	--		
2	7-10-06	DTP	RN	D. REVISED DRAWING TITLE C. REVISED AND REDRAWN	37617-81	RN	RN		

DRAWN BY: JHNU  
 DATE: 1-4-01  
 CHK'D: LD

MAT'L: ABS

SCALE: NONE  
 DRAWING NO.: 37617-81  
 DWG SIZE: A